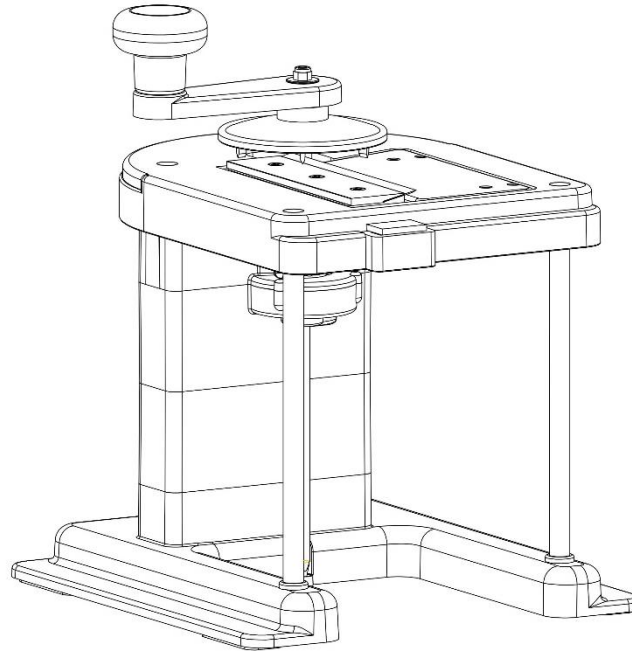


Cabbage shredder

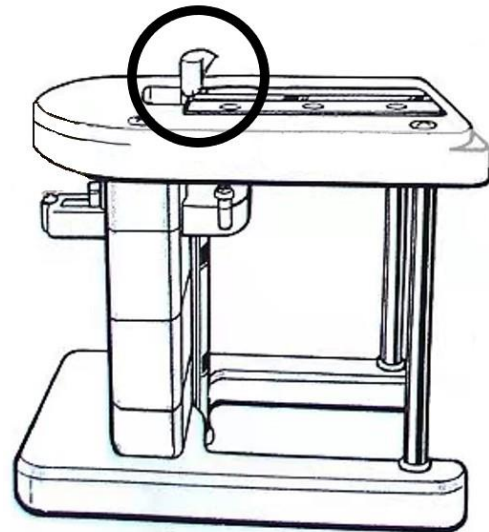
Assembly instructions



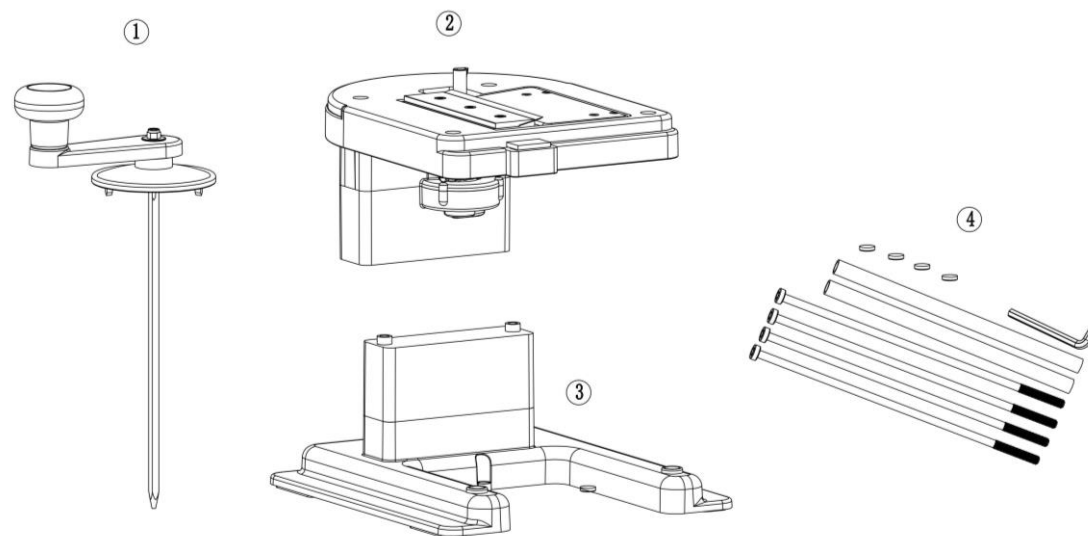
WARNING!

The extended structure of the central bushing (see photo on the right) is intended for securing the cabbage and its downward movement.

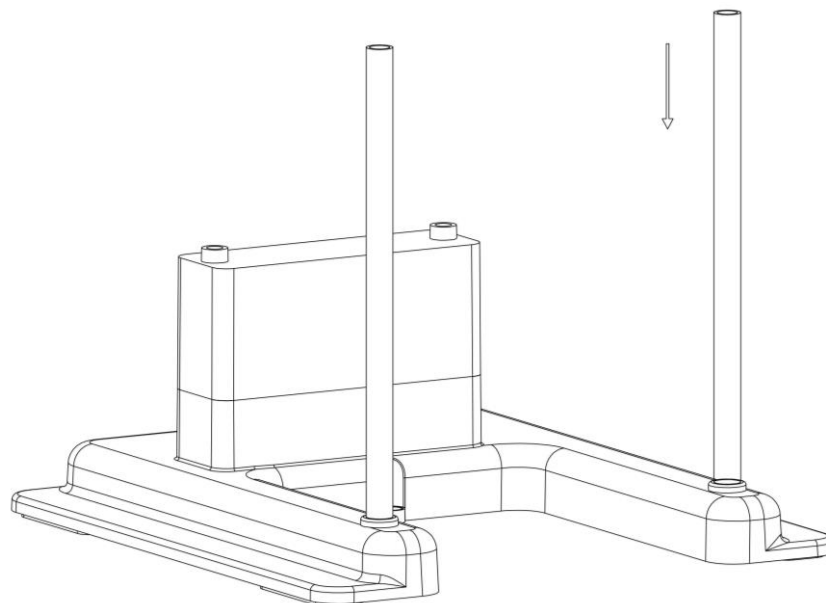
Be careful when using to avoid cuts.



View in disassembled form
4 main parts in the package



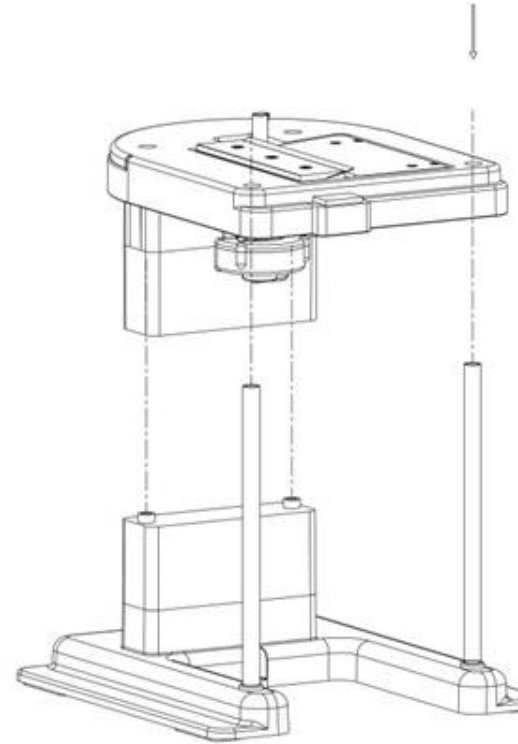
Assembly
Step 1
Insert two steel tubes into the base as
shown in the picture



Assembly

Step 2

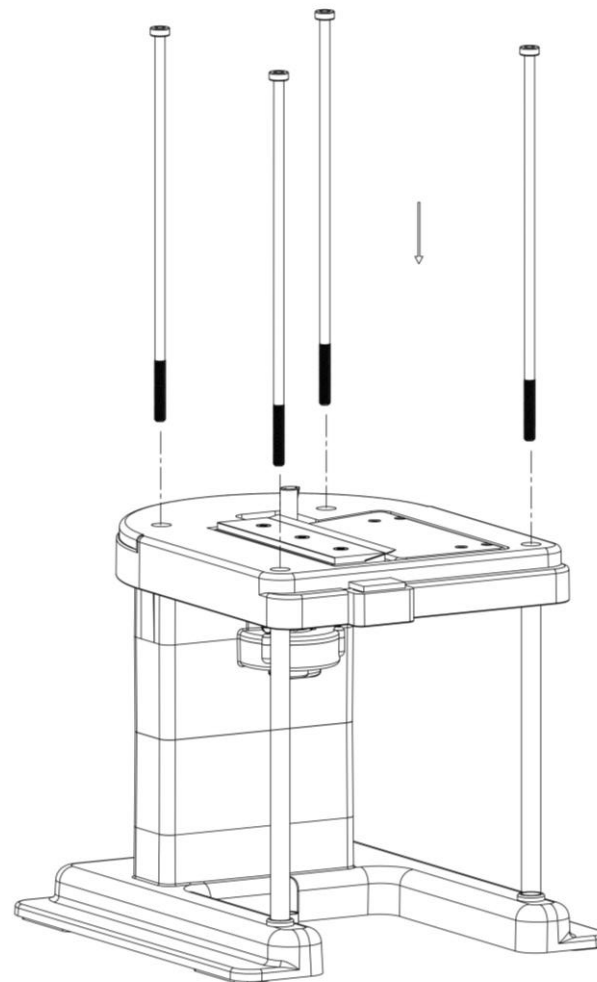
Align the two steel tubes of the base with the two holes of the top part



Assembly

Step 3

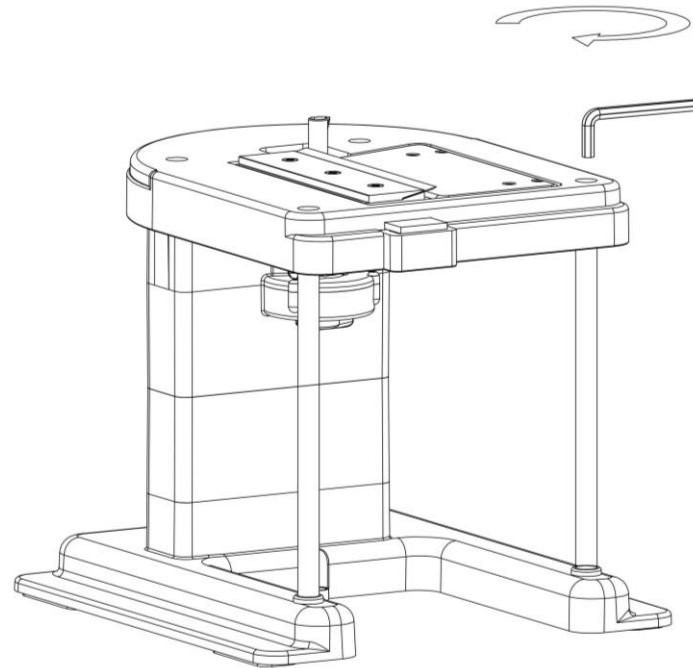
Insert the long screws into the 4 holes



Assembly

Step 4

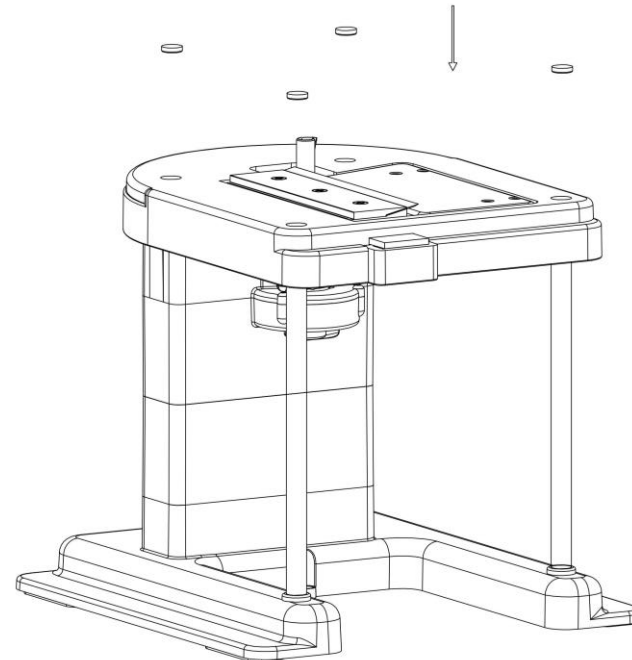
Tighten the screws with a hex key



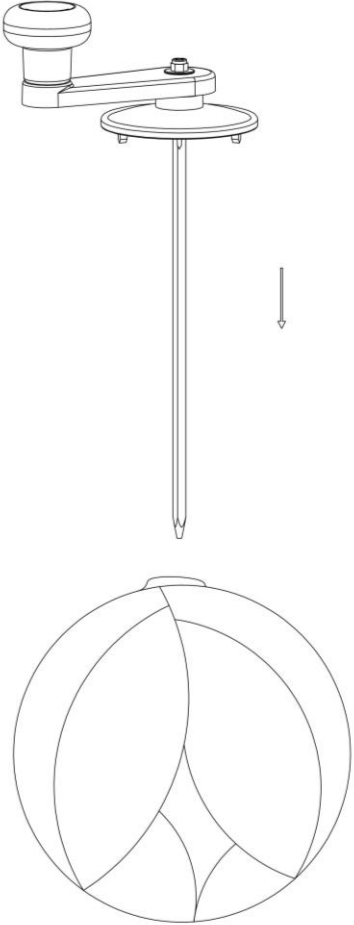
Assembly

Step 5

Cover the holes with 4 plastic caps



Assembly
Step 6
Insert the core into the cabbage stalk



Assembly

Step 7

Insert the core into the hole.

